

# ROLLER MOSQUITO BLINDS

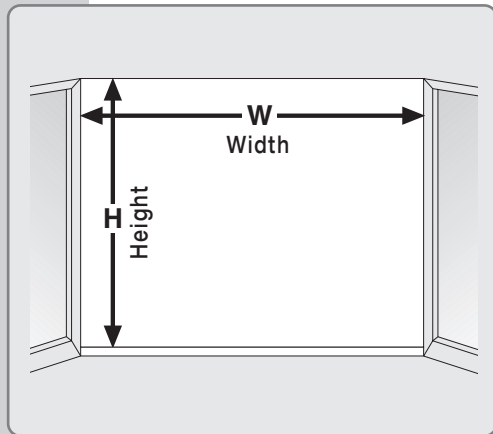
Universal kit for flat / upright assembly

## ASSEMBLY INSTRUCTIONS

### Horizontal Winding

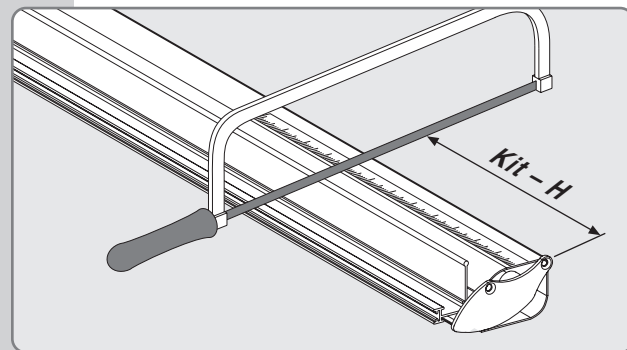
(See the back for vertical winding)

**1** Measure the window bay.



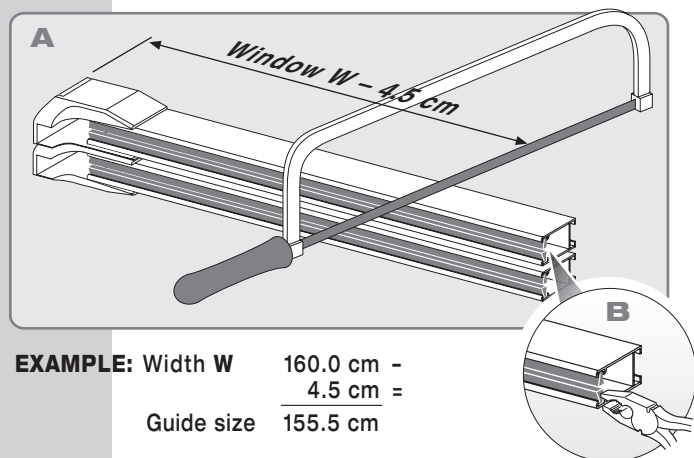
**EXAMPLE**  
W = 160 cm  
H = 90 cm

**2** Cut the long container, calculating the difference between the height of the kit purchased and the height H on the graduated scale.



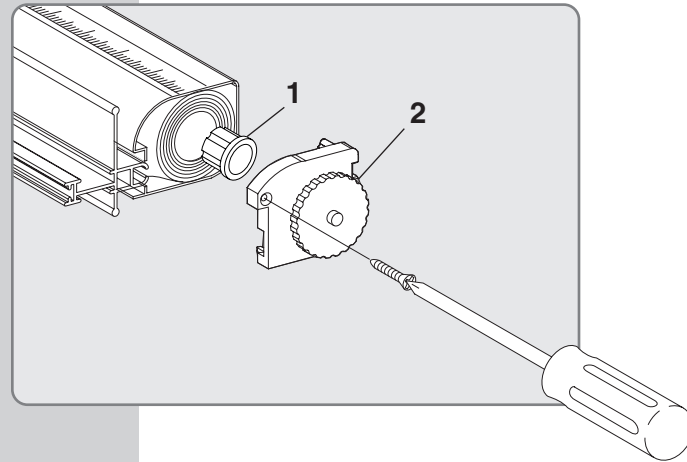
**EXAMPLE:** Kit height 100 cm -  
Height H 90 cm =  
10 cm

**3** **A** Cut the guides measuring the width W - 4.5 cm starting from the feet. **B** Squeeze the end part of the brushes.

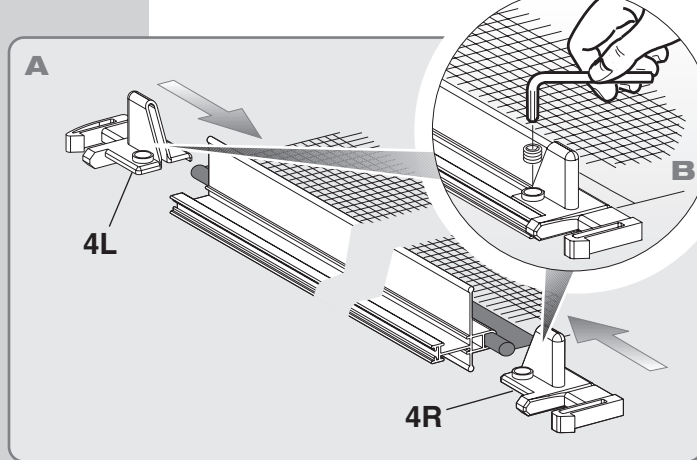


**EXAMPLE:** Width W 160.0 cm -  
4.5 cm =  
Guide size 155.5 cm

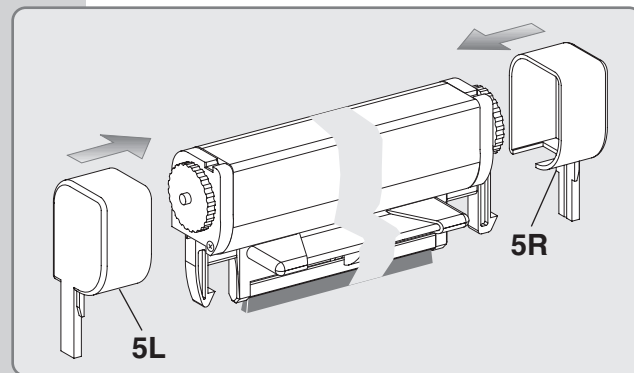
**4** Insert the bushing **1**. Secure the cover **2** using the screw.



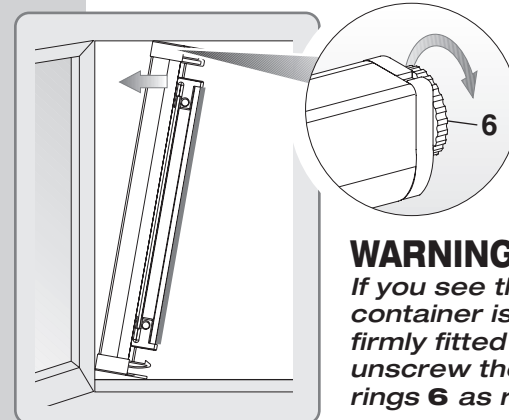
**5** **A** Insert the caps **4L** and **4R** in the handle bar. **B** Block the caps with the dowels.



**6** Insert the covers **5L** and **5R** at the ends of the container.

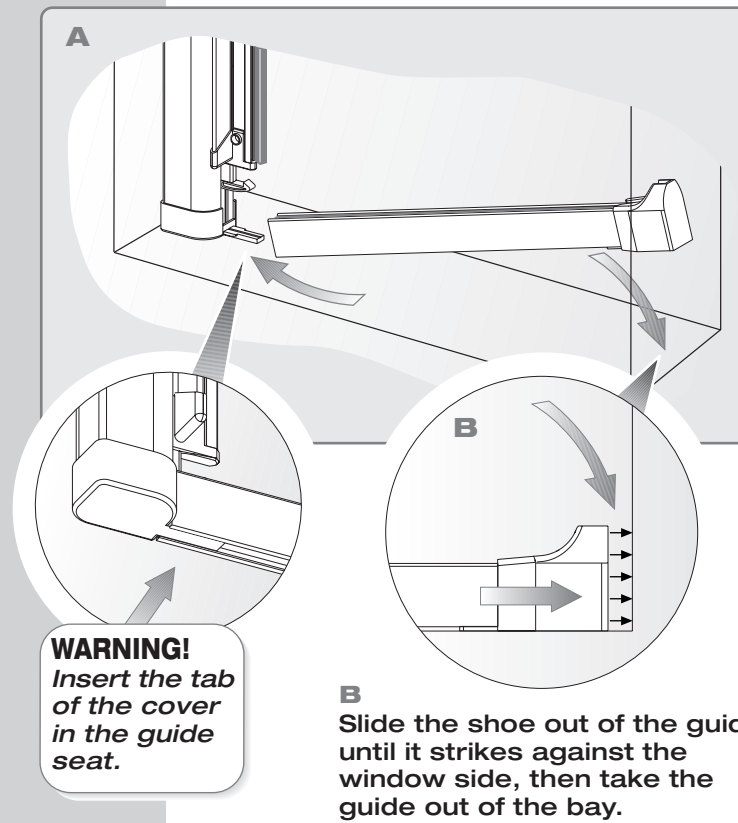


**7** Rest one end of the container up against the window and push the other until it firmly fits into the bay.



**WARNING!**  
If you see that the container is not firmly fitted in place, unscrew the two rings **6** as required.

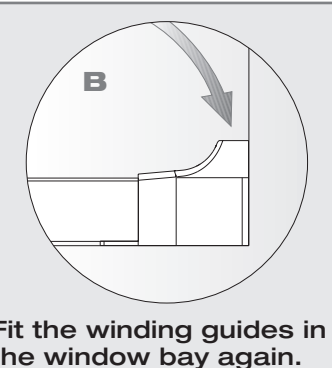
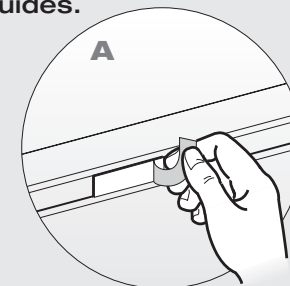
**8** **A** Fit the winding guide in the window bay.



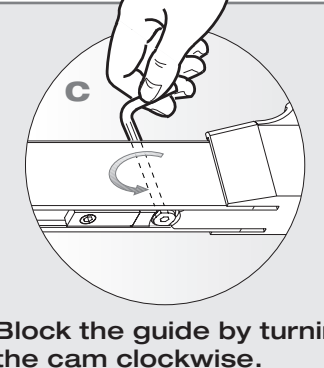
**WARNING!**  
Insert the tab of the cover in the guide seat.

**B** Slide the shoe out of the guide until it strikes against the window side, then take the guide out of the bay.

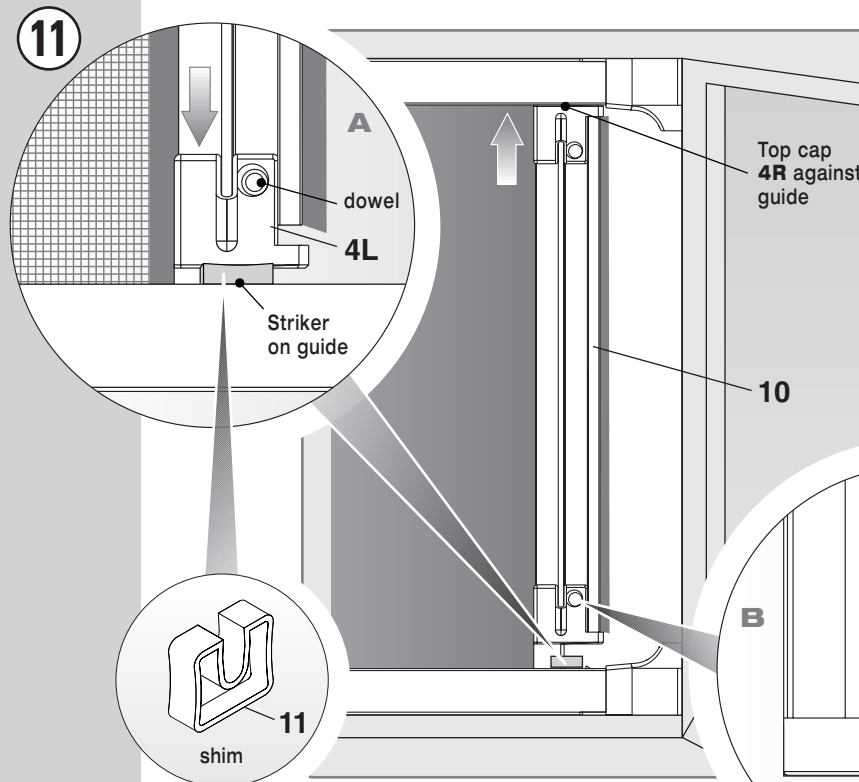
**10** **A** Take the two-side adhesive tape off the back of the guides.



**B** Fit the winding guides in the window bay again.



**C** Block the guide by turning the cam clockwise.



**11** **A** Insert the shim **11** on the bottom cap **4L**. Unscrew the dowel of the **4L** cap and slide the cap downwards until it strikes against the winding guide. Block the dowel of the cap and remove shim **11**.

**WARNING!**  
The adjustment is made by holding the handle bar **10** pushed towards the top, so that the top cap **4R** rests up against the winding guide (see figure).

**B** Cover the dowels with the caps **12**, and pull the sewn thread to free the brush bristles.

**9** **A-B-C** To secure the shoe in the new position, loosen screw **7** and slide the bracket **8** and the plate **9**, as indicated in Fig. **9-C**.

