

# ROLLER MOSQUITO BLINDS

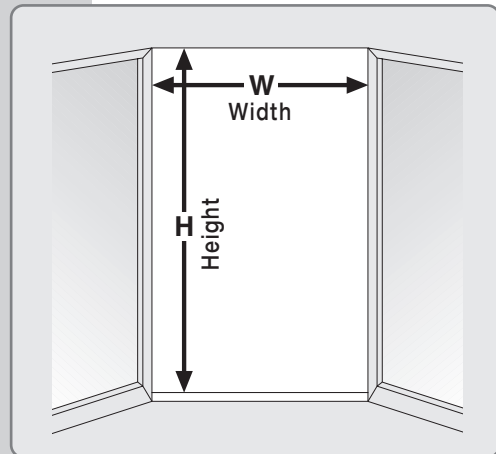
Universal kit for flat / upright assembly

## ASSEMBLY INSTRUCTIONS

### Vertical Winding

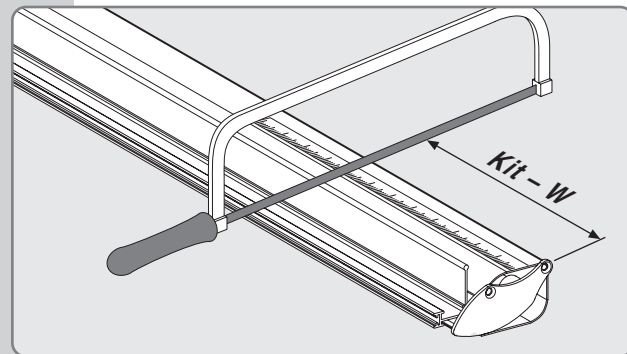
(See the back for horizontal winding)

**1** Measure the window bay.



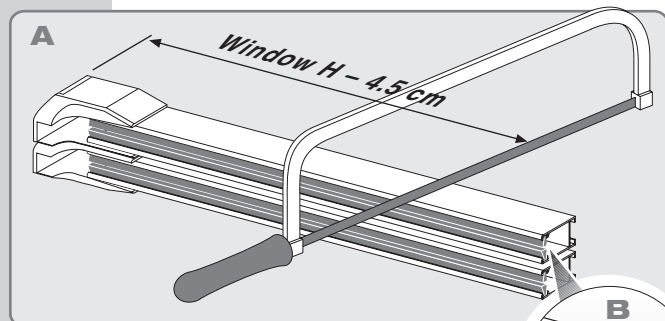
**EXAMPLE**  
W = 90 cm  
H = 160 cm

**2** Cut the long container, calculating the difference between the width of the kit purchased and the width L on the graduated scale.



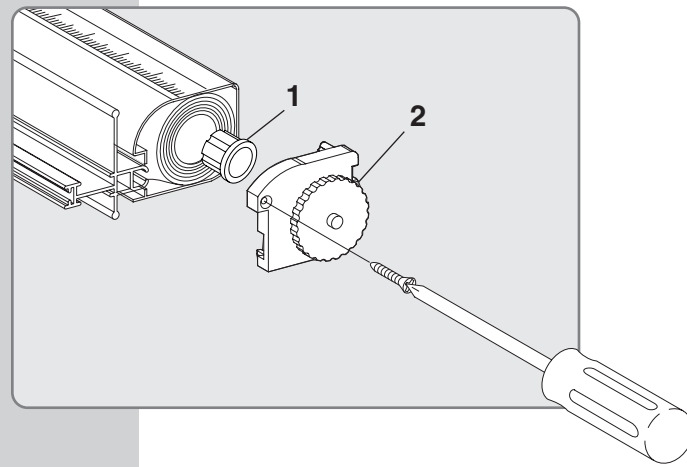
**EXAMPLE:** Kit width 100 cm -  
W width 90 cm =  
10 cm

**3** **A** Cut the side guides measuring the H - 4.5 cm starting from the feet. **B** Squeeze the end part of the brushes.

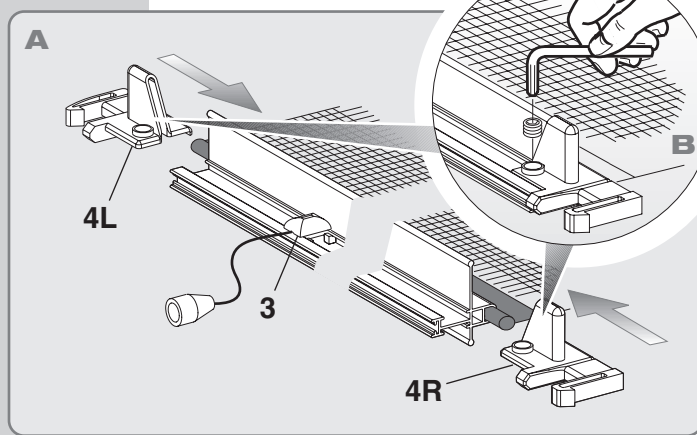


**EXAMPLE:** H height 160.0 cm -  
4.5 cm =  
Guide height 155.5 cm

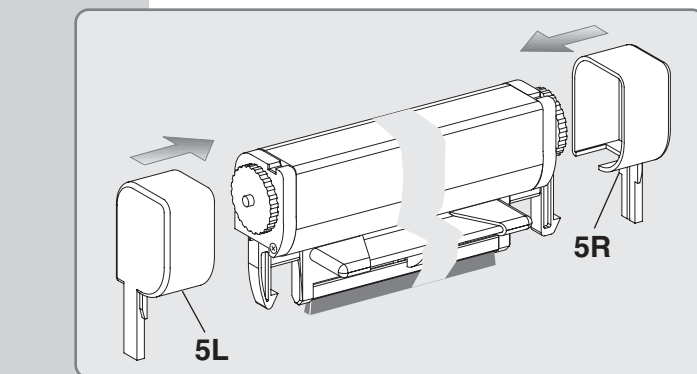
**4** Insert the bushing 1. Secure the cover 2 using the screw.



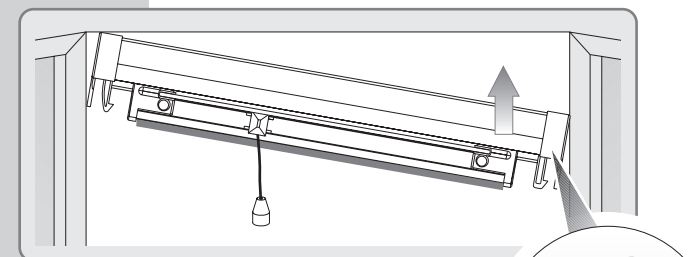
**5** **A** Insert the string 3. **B** Block the caps with the dowels and 4R in the handle bar.



**6** Insert the covers 5L and 5R at the ends of the container.

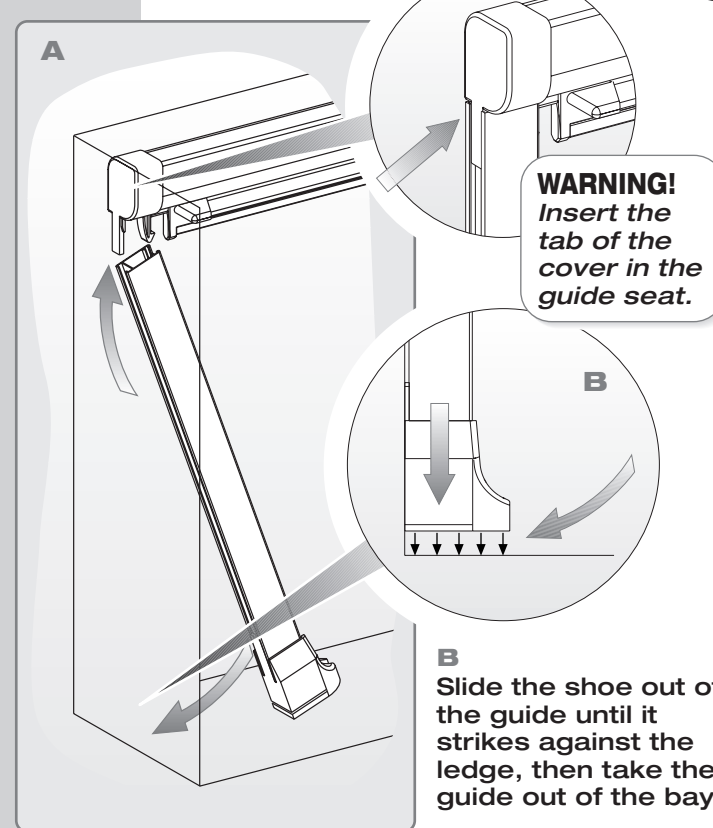


**7** Rest one end of the container up against the window and push the other until it firmly fits into the bay.

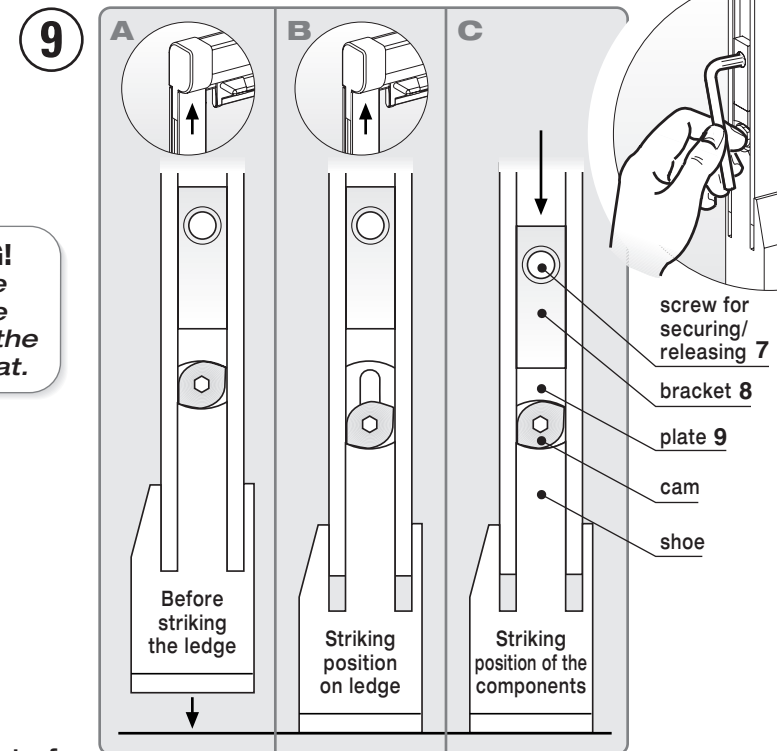


**WARNING!**  
If you see that the container is not firmly fitted in place, unscrew the two rings 6 as required.

**8** **A** Fit the side guide in the window bay.

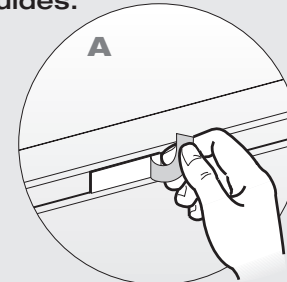


**B** Slide the shoe out of the guide until it strikes against the ledge, then take the guide out of the bay.

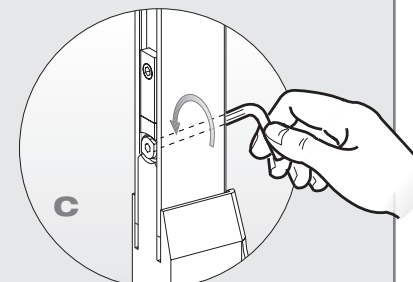


To secure the shoe in the new position, loosen screw 7 and slide the bracket 8 and the plate 9, as indicated in Fig. 9-C. Block the screw before fitting the guide again.

**10** **A** Take the two-side adhesive tape off the back of the guides.

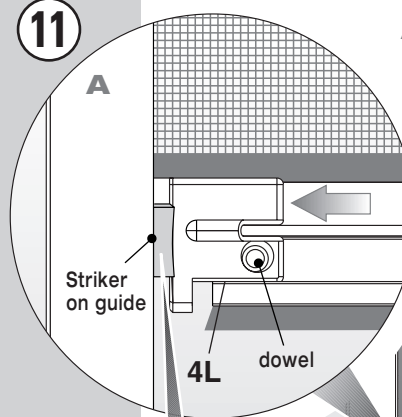


**C** Block the guide by turning the cam clockwise.

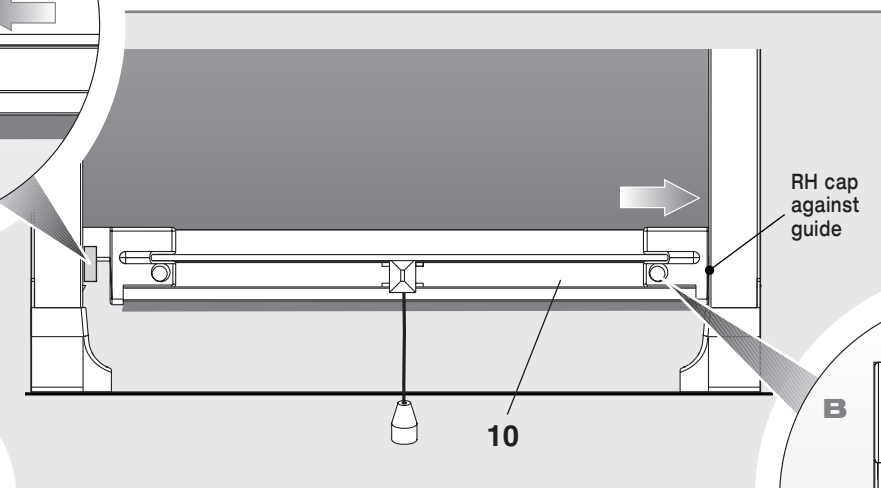


**B** Fit the side guides in the window bay again.

**11** **A** Insert the shim 11 on the LH cap 4L. Unscrew the dowel of the LH cap and slide the cap until it strikes against the LH guide. Block the dowel of the cap and remove shim 11.



**WARNING!**  
The adjustment is made by holding the handle bar 10 pushed towards the right, so that the RH cap rests up against the side guide (see figure).



**B** Cover the dowels with the caps 12, and pull the sewn thread to free the brush bristles.

